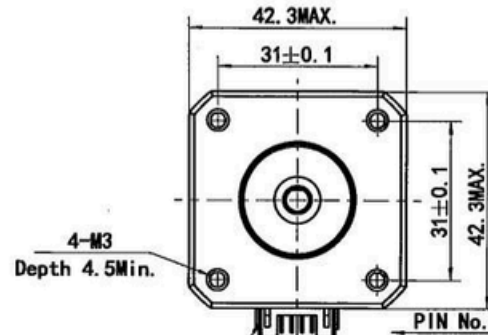
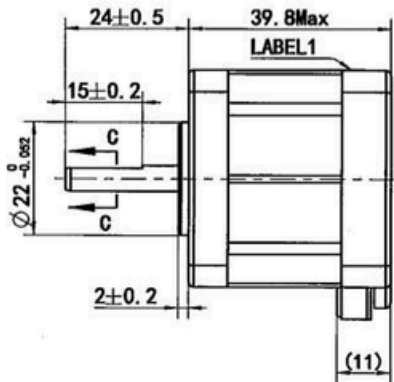
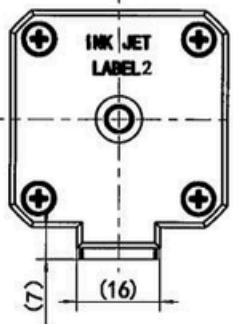
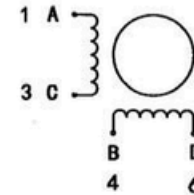


MS17HD2P4150



JST S6B-PH-K-S (LF) (SN)
or MOLEX 89401-0610

Wiring Diagram



Exciting Sequence vs. Direction of Rotation

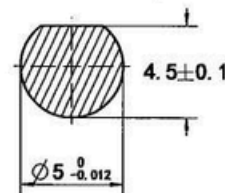
STEP	A	B	C	D	CCW
1	+	+	-	-	↑
2	-	+	+	-	
3	-	-	+	+	
4	+	-	-	+	

↓ CW

Clockwise view from mounting side

Hybrid Stepping Motor Specifications	
1. Number of Phase	2
2. Step Angle	1.8°
3. Rated Voltage	2.97 V DC
4. Rated Current	1.5 Amp
5. Holding Torque	0.5 Nm Typ. (Two phase on/rated current)
6. Phase Resistance	1.98 ohm±10% (20°C)
7. Phase Inductance	4.3 mH±20%(1kHz 1V rms)
8. Rotor Inertia	57 gcm ²
9. Motor Weight	0.28 kg
10. Insulation Class	B (130°C)

C-C(4:1)



Label 1 Detail

STEPING MOTOR
Insulation: Class B, 60VDC Max.
1.5Amps Holding: 0.5Nm
3000RPM Max. **PIVEXIN** US
UL FILE No. E465363 XXX
Factory ID

Label 2 Detail

TYPE MS17HD2P4150
XXXXXXXX YY/MM/DD
Work Order Date Format

REV.	REVISION RECORD	DATE	UNLESS OTHERWISE SPECIFIED	NAMES	SIGNATURE	DATE	Drawing No: 4611110008900	Rev. E1	SCALE: 1:1	Sheet 1 of 1
E1	ECR:23-317	2023.03.28	Unit:mm	Approve						
E0	Update nameplate	2017.04.24	First angle method	Standardize						
D0	459 mNm Min, Change the nameplate	2013.01.24	Tolerances for linear and angular dimensions without individual tolerance indications GB/T 1804-m eqv ISO 2768-1:m	Process Review						
C0	510 mNm	2012.11.07	Geometrical tolerance for features without individual tolerance indications GB/T 1184-K eqv ISO 2768-2:K	Check						
B0	2.1ohm, 4.9mH, 3.15V, 490mNm	2012.03.12		Design						
A0	Original revision	2011.07.18								